



## Advanced Digital Servo Buffer

Model 605SB

### Features

The 605SB Advanced Digital Servo Buffer amplifies and cleans the signal and also provides RF isolation between one channel on your receiver and one or two servos driven by that channel.

- Works with analog and digital servos.
- Onboard computer intelligently processes signal. Frame rate, resolution and granularity are very smooth, with little or no “stepping.”
- Output travels are automatically limited so servos are never overdriven.
- Drives one or two servos from one receiver channel. For two servos, the buffer is similar to a Y harness.
- Stable output for typical model temperature and voltage operating ranges.

**Tip:** Some PCM receivers (notably those made by Futaba) don't provide the ideal signal to FMA's CPD4 Co-Pilot Flight Stabilization System, causing the aileron and elevator (roll and pitch) servos to operate erratically. The 605SB Advanced Digital Servo Buffer eliminates this problem so you can add flight stabilization to your PCM receiver.

### Specifications

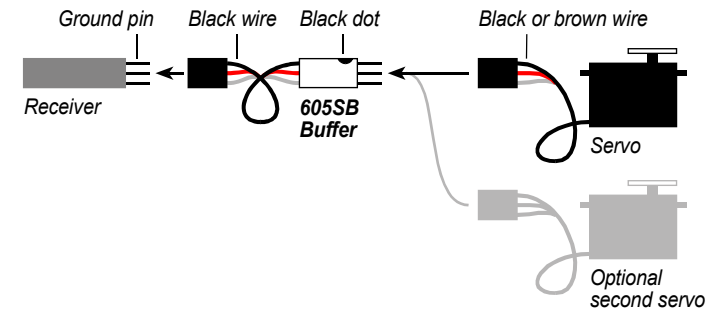
Size	1.25 in x 0.34 in x 0.32 in (32 mm x 9 mm x 8 mm)
Weight	0.10 oz (3 gm)
Input	Any standard receiver control channel, via 6 in (150 mm) pigtail
Output	Drives two analog or digital servos
Timing	Standard center at 1.5 msec $\pm$ 0.7 msec to endpoints, variable frame-rate delay
Current	< 1 mA

FMA, Inc. • 5716A Industry Lane • Frederick, MD 21704  
Sales: (800) 343-2934 • Technical: (301) 668-7614 • [www.fmadirect.com](http://www.fmadirect.com)

**FMA**  
Direct

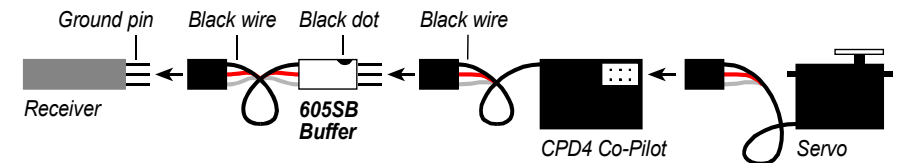
### Installing the buffer

#### Installing in a system without CPD4 Co-Pilot



**CAUTION:** Check pin and socket polarity before connecting. Black or brown wires are ground. (Do not use “old style,” pre-“Z-type” Airtronics servo connectors.) Failure to observe correct polarity voids warranty. Incorrect polarity may damage receiver and/or other components.

#### Installing in a system with CPD4 Co-Pilot



### FMA limited warranty for electronic accessories

FMA, Inc. warrants this product to be free of manufacturing defects for the term of one year from the date of purchase. Should any defects covered by this warranty occur, the product shall be repaired or replaced with a unit of equal performance by FMA or an authorized FMA service station.

#### Limits and exclusions

This warranty may be enforced only by the original purchaser, who uses this product in its original condition as purchased, in strict accordance with the product's instructions. Units returned for warranty service to an FMA service center will be accepted for service when shipped postpaid, with a copy of the original sales receipt or warranty registration form, to the service station designated by FMA.

This warranty does not apply to:

- Consequential or incidental losses resulting from the use of this product.
- Damage resulting from accident, misuse, abuse, neglect, electrical surges, reversed polarity on connectors, lightning or other acts of God.
- Damage from failure to follow instructions supplied with the product.
- Damage occurring during shipment of the product either to the customer or from the customer for service (claims must be presented to the carrier).
- Damage resulting from repair, adjustment, or any alteration of the product by anyone other than an authorized FMA technician.
- Installation or removal charges, or damage caused by improper installation or removal.

Call (301) 668-7614 for more information about service and warranty repairs.



## Advanced Digital Servo Buffer

Model 605SB

### Features

The 605SB Advanced Digital Servo Buffer amplifies and cleans the signal and also provides RF isolation between one channel on your receiver and one or two servos driven by that channel.

- Works with analog and digital servos.
- Onboard computer intelligently processes signal. Frame rate, resolution and granularity are very smooth, with little or no “stepping.”
- Output travels are automatically limited so servos are never overdriven.
- Drives one or two servos from one receiver channel. For two servos, the buffer is similar to a Y harness.
- Stable output for typical model temperature and voltage operating ranges.

**Tip:** Some PCM receivers (notably those made by Futaba) don't provide the ideal signal to FMA's CPD4 Co-Pilot Flight Stabilization System, causing the aileron and elevator (roll and pitch) servos to operate erratically. The 605SB Advanced Digital Servo Buffer eliminates this problem so you can add flight stabilization to your PCM receiver.

### Specifications

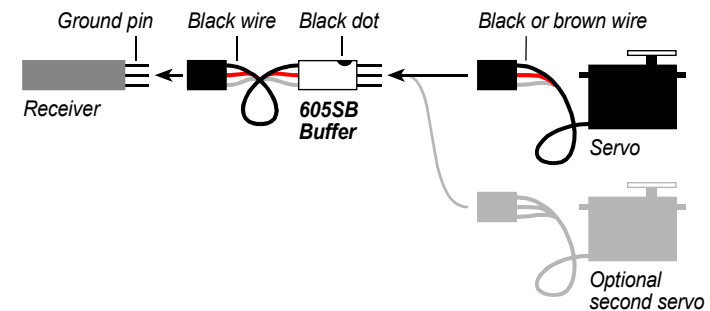
Size	1.25 in x 0.34 in x 0.32 in (32 mm x 9 mm x 8 mm)
Weight	0.10 oz (3 gm)
Input	Any standard receiver control channel, via 6 in (150 mm) pigtail
Output	Drives two analog or digital servos
Timing	Standard center at 1.5 msec $\pm$ 0.7 msec to endpoints, variable frame-rate delay
Current	< 1 mA

FMA, Inc. • 5716A Industry Lane • Frederick, MD 21704  
Sales: (800) 343-2934 • Technical: (301) 668-7614 • [www.fmadirect.com](http://www.fmadirect.com)

**FMA  
Direct**

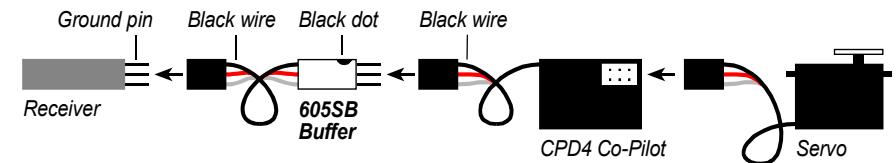
### Installing the buffer

#### Installing in a system without CPD4 Co-Pilot



**CAUTION:** Check pin and socket polarity before connecting. Black or brown wires are ground. (Do not use “old style,” pre-“Z-type” Airtronics servo connectors.) Failure to observe correct polarity voids warranty. Incorrect polarity may damage receiver and/or other components.

#### Installing in a system with CPD4 Co-Pilot



### FMA limited warranty for electronic accessories

FMA, Inc. warrants this product to be free of manufacturing defects for the term of one year from the date of purchase. Should any defects covered by this warranty occur, the product shall be repaired or replaced with a unit of equal performance by FMA or an authorized FMA service station.

#### Limits and exclusions

This warranty may be enforced only by the original purchaser, who uses this product in its original condition as purchased, in strict accordance with the product's instructions. Units returned for warranty service to an FMA service center will be accepted for service when shipped postpaid, with a copy of the original sales receipt or warranty registration form, to the service station designated by FMA.

This warranty does not apply to:

- Consequential or incidental losses resulting from the use of this product.
- Damage resulting from accident, misuse, abuse, neglect, electrical surges, reversed polarity on connectors, lightning or other acts of God.
- Damage from failure to follow instructions supplied with the product.
- Damage occurring during shipment of the product either to the customer or from the customer for service (claims must be presented to the carrier).
- Damage resulting from repair, adjustment, or any alteration of the product by anyone other than an authorized FMA technician.
- Installation or removal charges, or damage caused by improper installation or removal.

Call (301) 668-7614 for more information about service and warranty repairs.