

## Safe Parallel Adapters User Guide

Please read before charging using Revolectrix Safe Parallel Adapters

- Connect ONE pack ONLY per adapter.
- If any of the temperature indicator strips change color\* directly over one of the thermal fuses located on the PCB assembly, DO NOT CHARGE!!! Instead, locate the problem with the pack wiring and/or try charging the “bad pack” individually.
- The temperature indicator strips will automatically return to their original color when the bad pack is removed and the indicators cool down.
- Pack MUST be connected to Charger or Battery Workstation using both the balance connector as well as the pack’s main leads; e.g., PowerLab Safety Banana Connectors.

### \*IMPORTANT

Please note, prior to March, 2012, the “normal” or “cold” color of the temperature indicator strips was red. When there was a problem, the indicators would change from RED to BLACK.

Since March, 2012, the “normal” or “cold” color of the temperature indicator strips is black. Now when there is a problem, the indicators change from BLACK to RED.

That above change was prompted by the supplier of these special thermal ink labels, when “red” labels were discontinued. The important thing to note is that the original color does not matter. You just have to watch for a change from the original color.

### Other Warnings and Precautions:

When charging using Safe Parallel Adapters:

- 1 pack per adapter!
- Check polarity!
- All packs must have same cell count!
- Packs may have different capacities (mAh).  
Sum of all capacities = 1C.
- Connect both the balance connector as well as the main pack leads!

See other side for example hookups.

## Safe Parallel Adapters User Guide

Please read before charging using Revolectrix Safe Parallel Adapters

- Connect ONE pack ONLY per adapter.
- If any of the temperature indicator strips change color\* directly over one of the thermal fuses located on the PCB assembly, DO NOT CHARGE!!! Instead, locate the problem with the pack wiring and/or try charging the “bad pack” individually.
- The temperature indicator strips will automatically return to their original color when the bad pack is removed and the indicators cool down.
- Pack MUST be connected to Charger or Battery Workstation using both the balance connector as well as the pack’s main leads; e.g., PowerLab Safety Banana Connectors.

### \*IMPORTANT

Please note, prior to March, 2012, the “normal” or “cold” color of the temperature indicator strips was red. When there was a problem, the indicators would change from RED to BLACK.

Since March, 2012, the “normal” or “cold” color of the temperature indicator strips is black. Now when there is a problem, the indicators change from BLACK to RED.

That above change was prompted by the supplier of these special thermal ink labels, when “red” labels were discontinued. The important thing to note is that the original color does not matter. You just have to watch for a change from the original color.

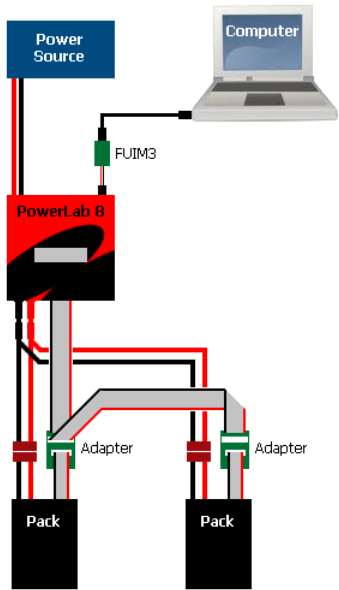
### Other Warnings and Precautions:

When charging using Safe Parallel Adapters:

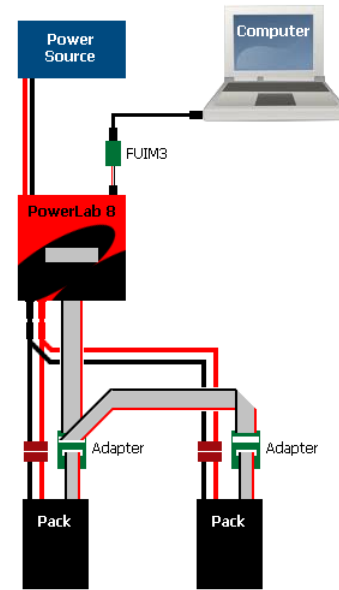
- 1 pack per adapter!
- Check polarity!
- All packs must have same cell count!
- Packs may have different capacities (mAh).  
Sum of all capacities = 1C.
- Connect both the balance connector as well as the main pack leads!

See other side for example hookups.

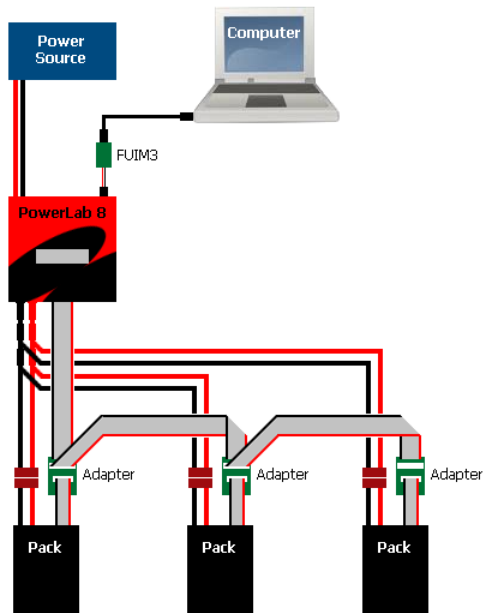
Charging two packs in parallel using Parallel Adapters



Charging two packs in parallel using Parallel Adapters



Charging three packs in parallel using Parallel Adapters



Charging three packs in parallel using Parallel Adapters

