



# HELIPAX LIPO PACKS DOCIER

## GENERAL SPECIFICATION

- 40 - 60C CONTINUOUS DISCHARGE
  - 120C PULSE
  - 8 -10C CHARGE RATE



— [www.revolectrix.com](http://www.revolectrix.com) —





## REVOLECTRIX HELIPAX

### FRESH LIPO

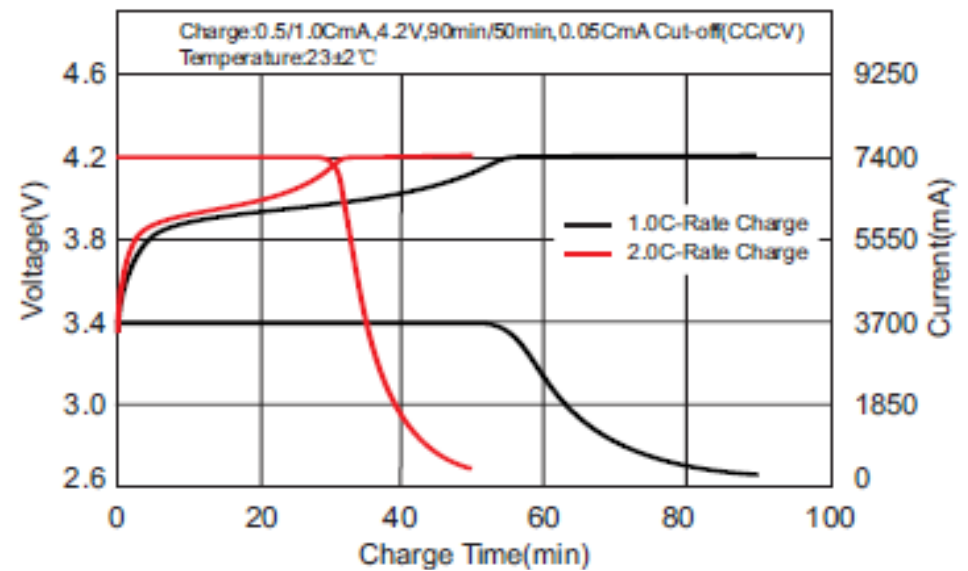
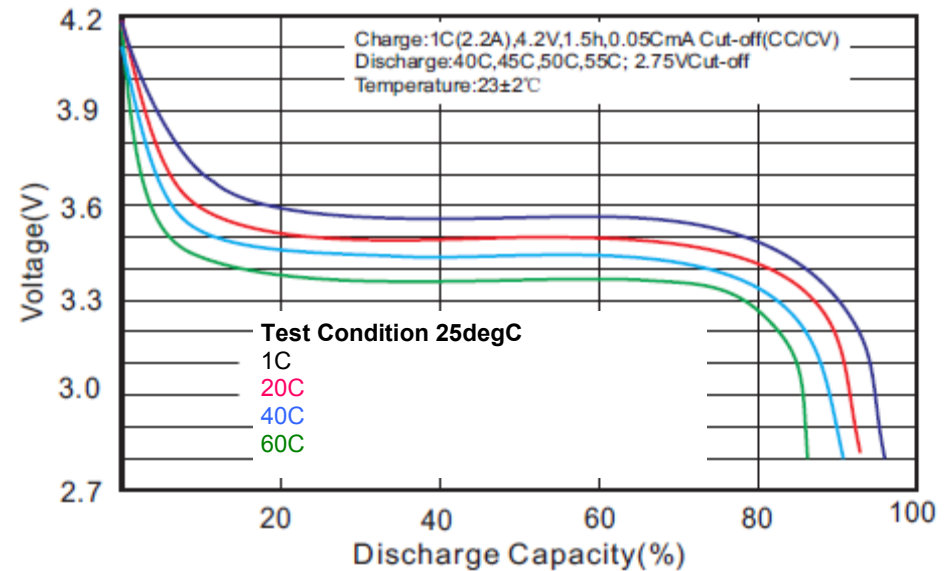
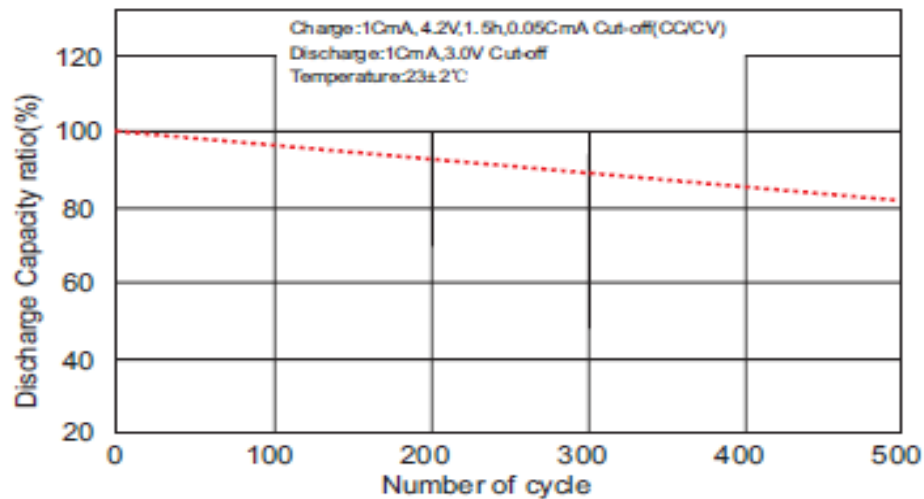
The REVOLECTRIX range HELIPAX have been carefully selected and cells matched for your application. Every battery pack is assembled on the same day as your shipment thus ensuring you receive the freshest LiPO battery packs. Look out for the date code on the battery label.

### Extreme Performance

At REVOLECTRIX we have hand selected the highest performing batteries for your application. Since we co-developed LiPO in 1999, REVOLECTRIX has been the true to specification supplier of LiPO that you can trust and respect.

This data sheet for HELIPAX batteries will show you the fullest data on all the packs available for your selection.

Note fast charging rates only at 30—35degC and REVOLECTRIX charger



**PLATINUM 3700 10S (2\*5S) 40C**

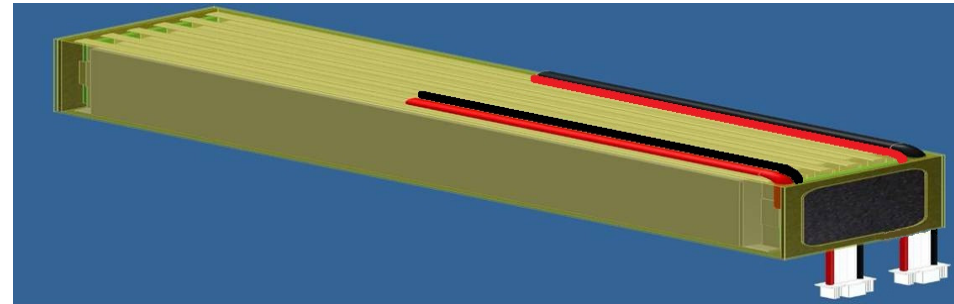
Size: 39 \* 44 \* 270 mm

Weight: 950 grams

**Discharge Continuous: 60C**

**Discharge Pulse: 120C**

**Max Charge: 8C**



**PLATINUM 3700 12S (2\*6S) 40C**

Size: 47 \* 44 \* 270 mm

Weight: 1170 grams

**Discharge Continuous: 60C**

**Discharge Pulse: 120C**

**Max Charge: 8C**

**DIAMOND 3700 10S (2\*5S) 60C**

Size: 38 \* 44 \* 270 mm

Weight: 990 grams

**Discharge Continuous: 60C**

**Discharge Pulse: 120C**

**Max Charge: 8C**

**DIAMOND 3700 12S (2\*6S) 60C**

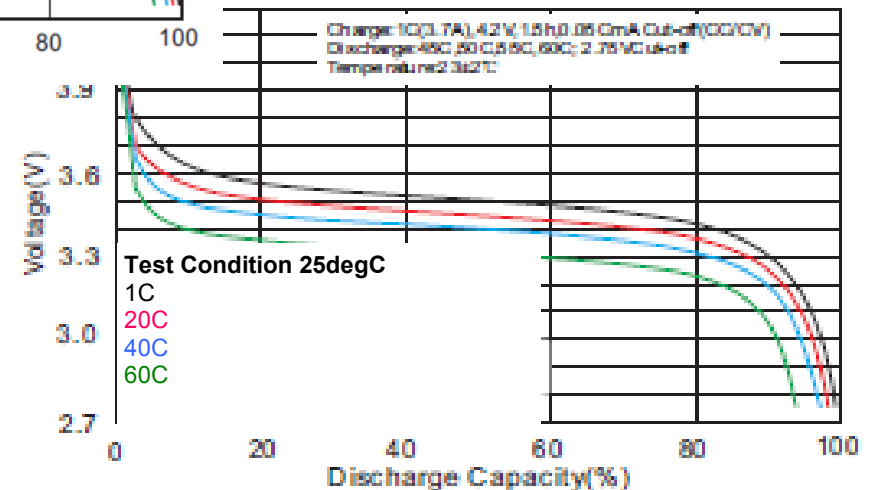
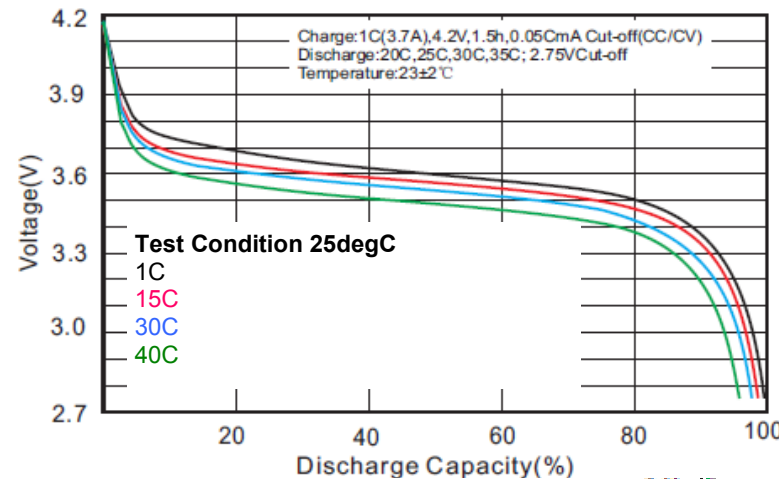
Size: 45 \* 44 \* 270 mm

Weight: 1190 grams

**Discharge Continuous: 60C**

**Discharge Pulse: 120C**

**Max Charge: 8C**



**PLATINUM 4400 10S (2\*5S) 40C**

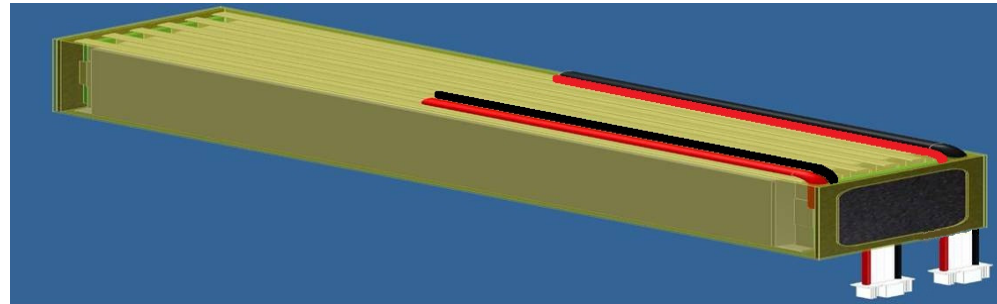
Size: 38 \* 44 \* 310 mm

Weight: 1200 grams

**Discharge Continuous: 60C**

**Discharge Pulse: 120C**

**Max Charge: 8C**



**PLATINUM 4400 12S (2\*6S) 40C**

Size: 46 \* 44 \* 310 mm

Weight: 1380 grams

**Discharge Continuous: 60C**

**Discharge Pulse: 120C**

**Max Charge: 8C**

**DIAMOND 4400 10S (2\*5S) 60C**

Size: 39 \* 44 \* 310 mm

Weight: 1220 grams

**Discharge Continuous: 60C**

**Discharge Pulse: 120C**

**Max Charge: 10C**

**DIAMOND 4400 12S (2\*6S) 60C**

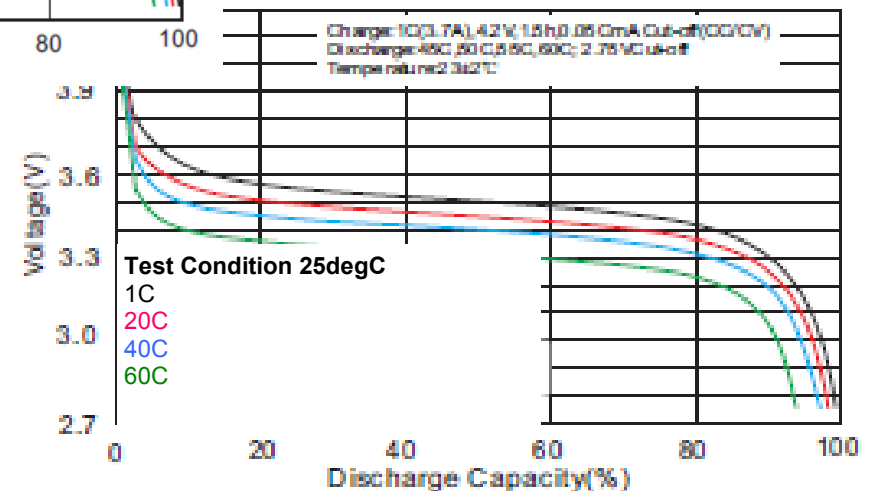
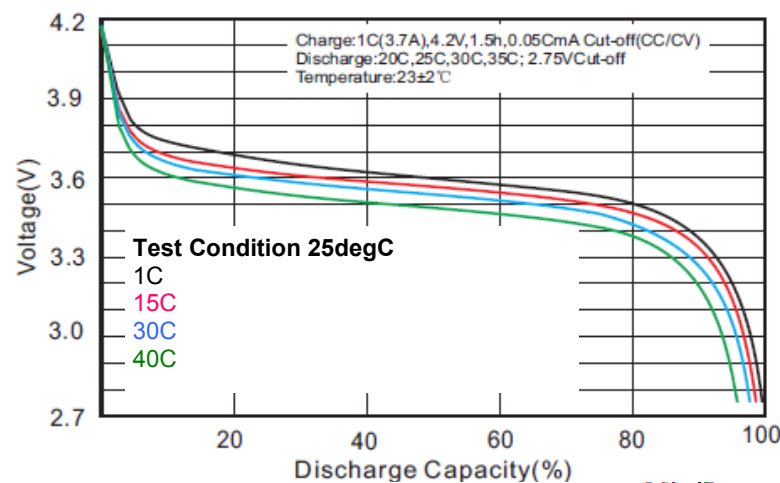
Size: 47 \* 44 \* 310mm

Weight: 1400 grams

**Discharge Continuous: 60C**

**Discharge Pulse: 120C**

**Max Charge: 10C**



## PLATINUM 5200 10S (2\*5S) 40C

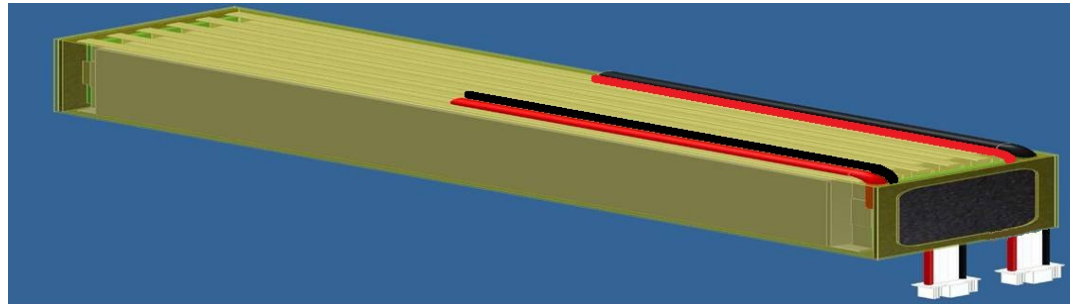
Size: 43 \* 44 \* 320 mm

Weight: 1300 grams

**Discharge Continuous: 60C**

**Discharge Pulse: 120C**

**Max Charge: 8C**



## PLATINUM 5200 12S (2\*6S) 40C

Size: 52 \* 44 \* 320 mm

Weight: 1550 grams

**Discharge Continuous: 60C**

**Discharge Pulse: 120C**

**Max Charge: 8C**

## DIAMOND 5000 10S (2\*5S) 60C

Size: 44 \* 44 \* 320 mm

Weight: 1330 grams

**Discharge Continuous: 60C**

**Discharge Pulse: 120C**

**Max Charge: 8C**

## DIAMOND 5000 12S (2\*6S) 60C

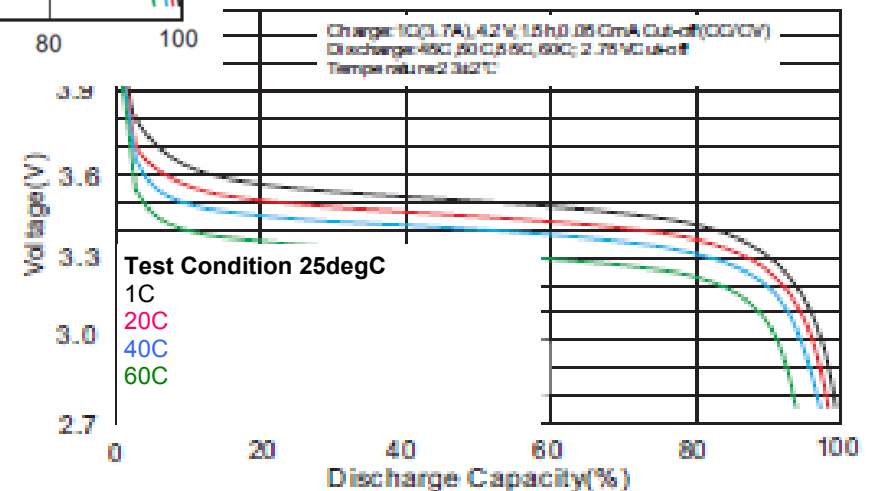
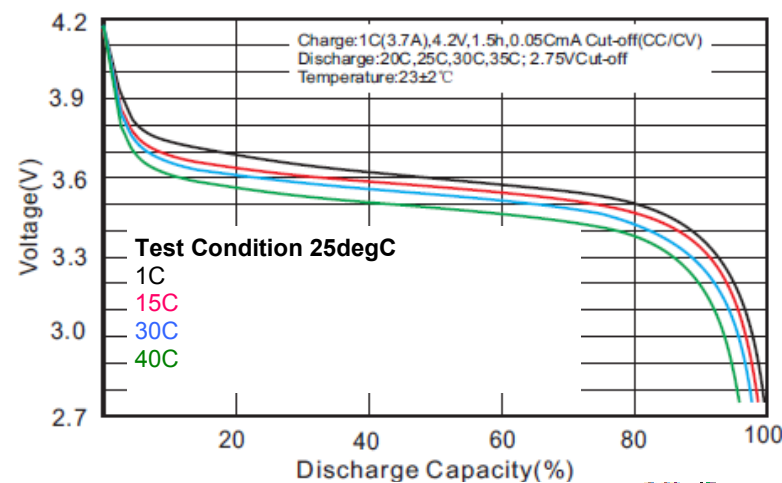
Size: 53 \* 44 \* 320 mm

Weight: 1575 grams

**Discharge Continuous: 60C**

**Discharge Pulse: 120C**

**Max Charge: 8C**





**Singapore** • 1200 Depot Rd #07-18 • Singapore 109675 • Ph (65) 6272 1818 • [energy@leoindustries.com](mailto:energy@leoindustries.com)  
**USA** • 3520 Sugarloaf Parkway, Suite F-03-121 • Urbana, Maryland 21704 • Ph (301) 798 2770 • [sales@revolectrix.com](mailto:sales@revolectrix.com)

— [www.revolectrix.com](http://www.revolectrix.com) —